

CMRI CERT NO.: - CIMFR/TC/P/H518
 SUPPLE. T.C. NO.: - CIMFR/TC/S/H175
 CAT.NO.: - KIB-1-K-JB

TECHNICAL DATA

ENCLOSURE :-
 EX-d AS PER IS/IEC 60079-1:2007
 SUITABLE FOR INSTALLATION IN HAZARDOUS LOCATION

PROTECTION :-
 IP-66 AS PER IS/IEC (60529:2001)

AREA CLASSIFICATION :-
 ZONE -1 & 2

GAS GROUPS :-
 IIB

TEMPERATURE CLASS :-
 T6

MATERIAL OF CONSTRUCTION :-
 CAST AL ALLOY LM-6

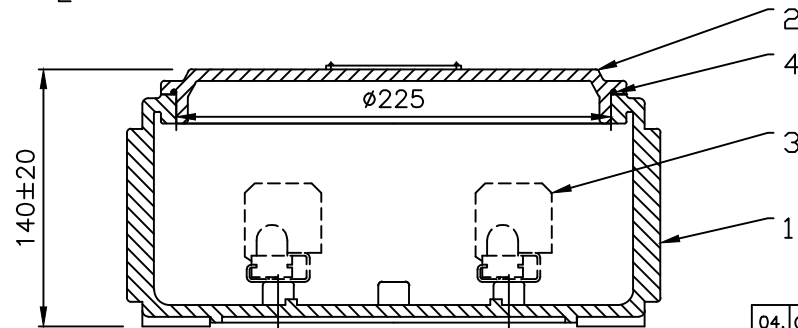
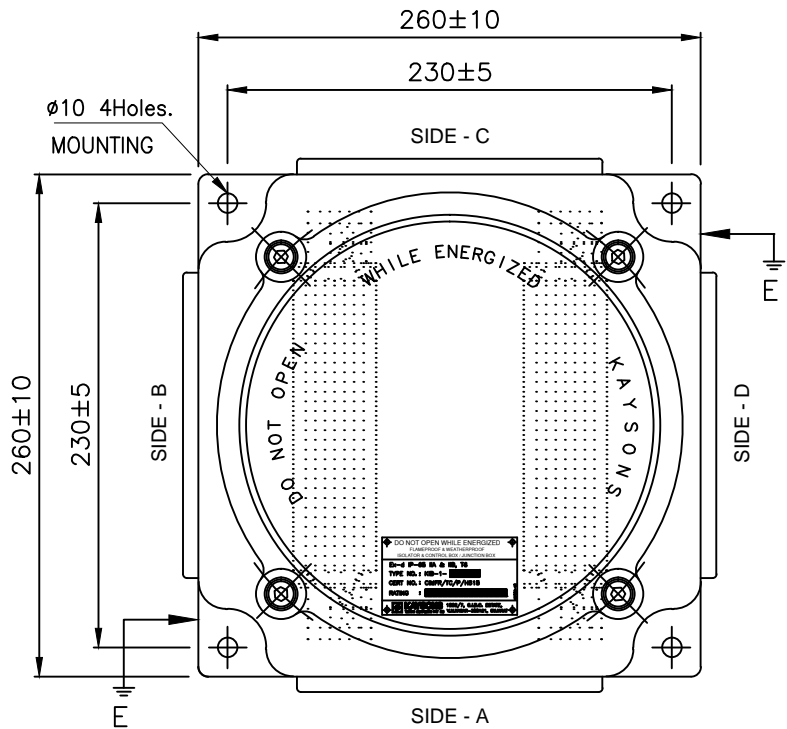
GASKET :-
 MOLDED NEOPRENE

HARDWARE :-
 STEEL ZINC PLATED/STAINLESS STEEL

FINISH :-
 LIGHT GREY

EARTHING :-
 1 NO. INSIDE & 2 NOS. OUTSIDE

CABLE ENTRY :-
 TO BE SPECIFIED WHILE ORDERING.



CABLE ENTRY & TERMINAL DETAILS

NO.	DESCRIPTION	QTY	MAT./RATING	SR. NO.	TAG NO.	NO. OF CABLE ENTRY				NO. OF TERMINAL	QTY.	
						SIDE-A	SIDE-B	SIDE-C	SIDE-D			

04.	GASKET (ENDLESS, MOULDED)	1	NEOPRENE
03.	TERMINAL	A.R.	CLIPON TYPE
02.	COVER	1	CAST AL. ALLOY
01.	BODY	1	CAST AL. ALLOY

THE INFORMATION CONTAINED IN THIS DRAWING IS THE PROPERTY OF KAYSONS TECHNO EQUIPMENTS PVT. LTD. AND IS NOT TO BE COPIED OR MISUSED IN ANY WAY.

ISSUE	DATE	BY	MODIFICATION

CLIENT :-
 CONSULANT :-
 P.O.NO. :-

KAYSONS TECHNO EQUIPMENTS PVT LTD
 1802/7, G.I.D.C. ESTATE,
 V.U.NAGAR 388121. (GUJARAT)

DRAWN	KBP	1.8.13
APP'D	HPB	1.8.13
CH'D	NPB	1.8.13

DESCRIPTION:-
FLAMEPROOF WEATHERPROOF JUNCTION BOX

SHT.NO.	REV.	DRG.NO.:-
1 OF 1	0	H05